



# yellobrik®

# yellobrik®

## Quick Reference

### Technical Specifications

SDI Input	2 x SDI; 75 Ohm BNC connector
	SMPTE 424M, SMPTE 292M, SMPTE 259M, SMPTE 2081, SMPTE 2082
	Multi-standard operation from 270Mbit/s to 12Gbit/s; reclocking
	Input present LED indication
	Electrical Return Loss: >15dB from 5MHz to 1.5GHz, >10dB from 1.5GHz to 3GHz, >7dB from 3GHz to 6GHz; >4dB from 6GHz to 12GHz
	Automatic cable EQ (Belden xxxx cable) 400m @ 270Mbit/s, 200m @ 1.5Gbit/s, 150m @ 3Gbit/s; 80m @ 6Gbit/s; 80m @ 12Gbit/s
	Hot pluggable
SDI Outputs	7 x multi-rate reclocked SDI outputs ; 75 Ohm BNC connectors
	SMPTE 424M, SMPTE 292M, SMPTE 259M, SMPTE 2081, SMPTE 2082
	Electrical Return Loss: >15dB from 5MHz to 1.5GHz, >10dB from 1.5GHz to 3GHz, >7dB from 3GHz to 6GHz; >4dB from 6GHz to 12GHz
	Alignment Jitter < 0.2 UI @ 270Mbit/s, < 0.2 UI @ 1.5Gbit/s, < 0.3 UI @ 3Gbit/s, 6Gbit/s, 12Gbit/s
Power	+12VDC @ 3.3W nominal - ( supports 7 - 24VDC input range )
Physical	Size: 138mm x 90mm x 22mm (5.43" x 3.54" x 0.86") including connectors Weight: 240g (8.46oz)

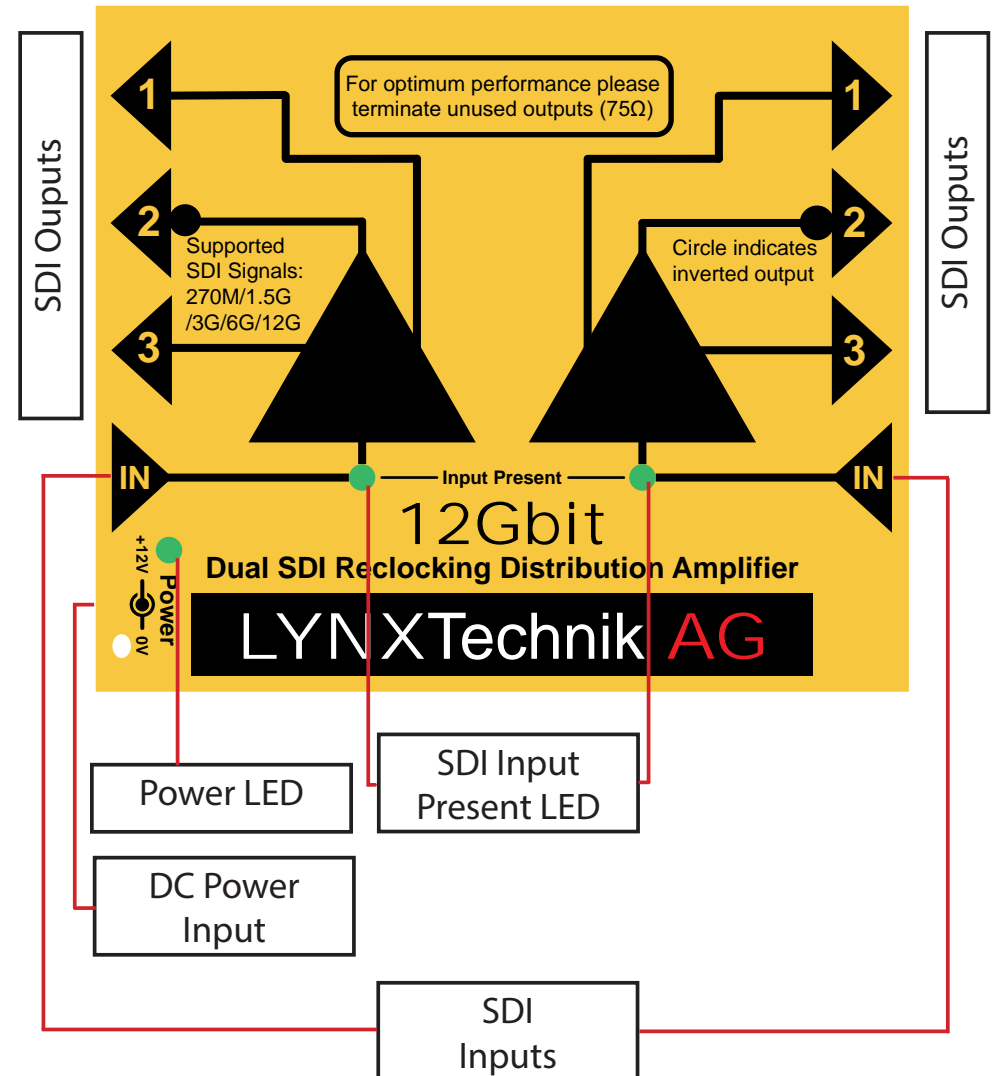
We are constantly adding more yellobrik modules. Please visit our website for the latest product updates.

[www.lynx-technik.com](http://www.lynx-technik.com)

**LYNXTechnik AG** | [www.lynx-technik.com](http://www.lynx-technik.com)

### DVD 1423

### 12Gbit Dual 1>3 SDI Reclocking Distribution Amplifier



## Connections

All connections are clearly indicated on the module and self explanatory.

## Operation

The DVD 1423 has two multi-format SDI inputs, with three SDI outputs per channel. The input bit rate is automatically detected and the signal reclocked at the corresponding clock rate.

The “Signal Present” LED (one per input) is illuminated when a valid input signal is connected.

The module supports all SDI video standards up to 12Gbit/s.

The DVD 1423 is hot swappable and hot pluggable.

No user settings are provided for this module.

## Power

The module requires a 12V DC power input and the LED confirms when power is connected. A power supply is provided, however if you use your own power supply, please provide a clean 12V DC power source between 7 and 24VDC.

The DVD 1423 has a power consumption of approximately 3.3W nominal.

## Power Lead Strain Relief

The module (different module shown here) has a small hole in the case which is located above the power connection. This prevents the power lead being accidentally pulled out. Use the supplied tie-wrap and secure the lead as shown below.



## Optional Mounting Solutions

The optional RFR 1001 mounting bracket can be used to permanently mount the module on any surface or on 19” rack rails.



The optional RFR 1000-1 rack mount can be used to permanently mount up to 14 yellobrik modules. In addition, the RFR 1000-1 can provide full power redundancy for all mounted yellobriks.

