



yellobrik®

yellobrik®

Quick Reference

Technical Specifications

Video Inputs	1 x 75 Ohm BNC SDI input 1 x HDMI 1.4a, Type A connector
Input Formats (SDI and HDMI)	SMPTE 424M, SMPTE 292M, SMPTE 259M 1080p50/59/60 (Level A)/23/24/25/29/30Hz, 1080i50/59/60Hz, 720p23/24/25/29/30/50/59/60Hz, 1080psF23/24/25Hz, 525/625
Input Formats (HDMI only)	WUXGA (1920x1200), WXGA (1280x768), XGA (1024x768), SVGA (800x600), VGA (640x480)
Video Encoder	H.264 according to MPEG-4 AVC Part 10; ISO/IEC 14496-10 <ul style="list-style-type: none"> High, Main and Baseline profile support 2.0, 3.0, 3.1, 4.0, 4.1 and 4.2 level support MJPEG compliant to ISO/IEC IS 10918-1 ITU-T Recommendation T.81
Audio I/O	2x 3.5mm stereo jack (black) <ul style="list-style-type: none"> Unbalanced analog line audio input - black jack Unbalanced analog line audio output - green jack (for future use)
Audio Codec	MPEG-4 AAC LC according to ISO/IEC 14496-3 <ul style="list-style-type: none"> 32 kbps to 256 kbps 2 channel stereo from video or external audio input
Protocols	RTMP, RTP/RTSP, TS over UDP, TS over RTP, HLS Unicast and Multicast support
Recording	Micro SDHC (Speed Class 10 or higher - FAT 32, NTFS3.1 or exFAT) USB 2.0 (Mini-USB Type "B" socket - FAT 32, NTFS3.1 or exFAT)
Rec. Format	.mp4, .ts
Ethernet	10/100/1000 Ethernet (RJ-45)
Power	+12VDC @ 3.5W nominal - (supports 5 - 14VDC input range)

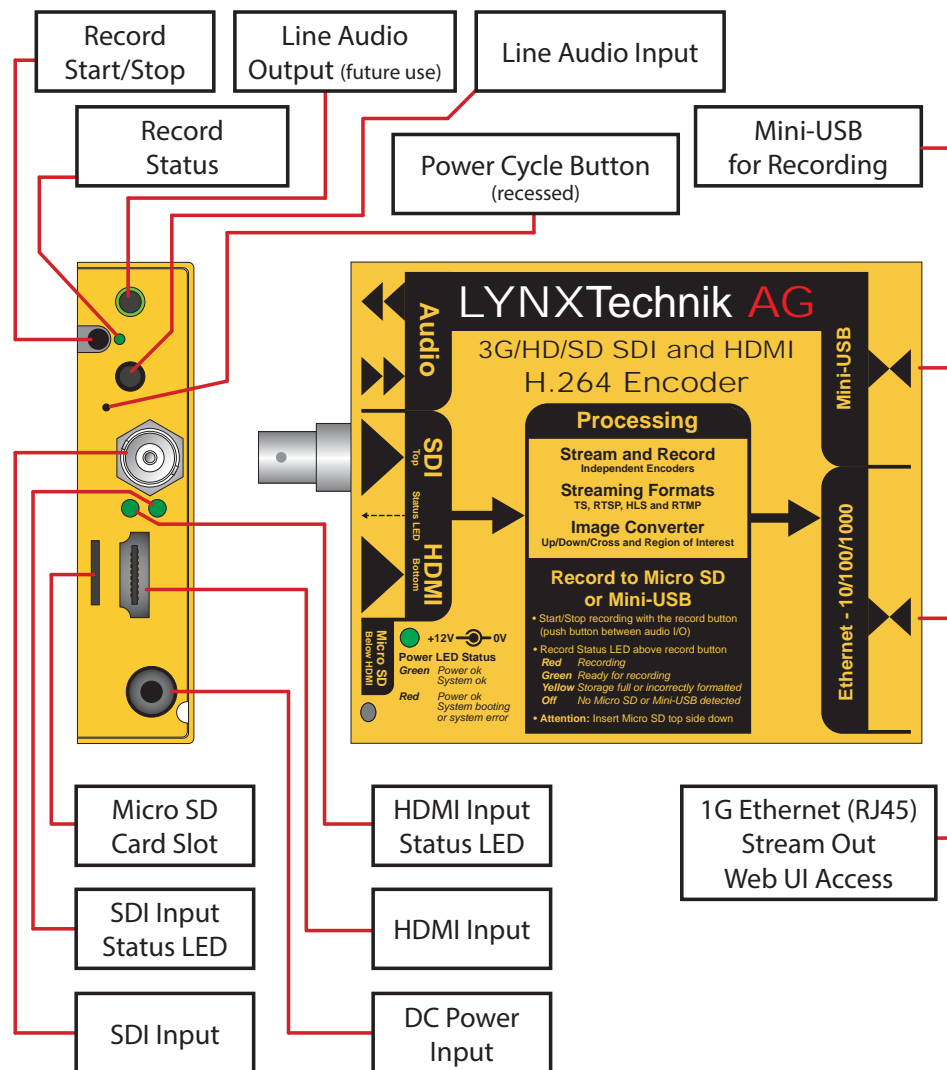
We are constantly adding more yellobrik modules.
Please visit our website for the latest product updates.

www.lynx-technik.com

LYNXTechnik AG | www.lynx-technik.com

PEC 1864

3Gbit SDI/HDMI H.264 Streamer and Recorder



Connections

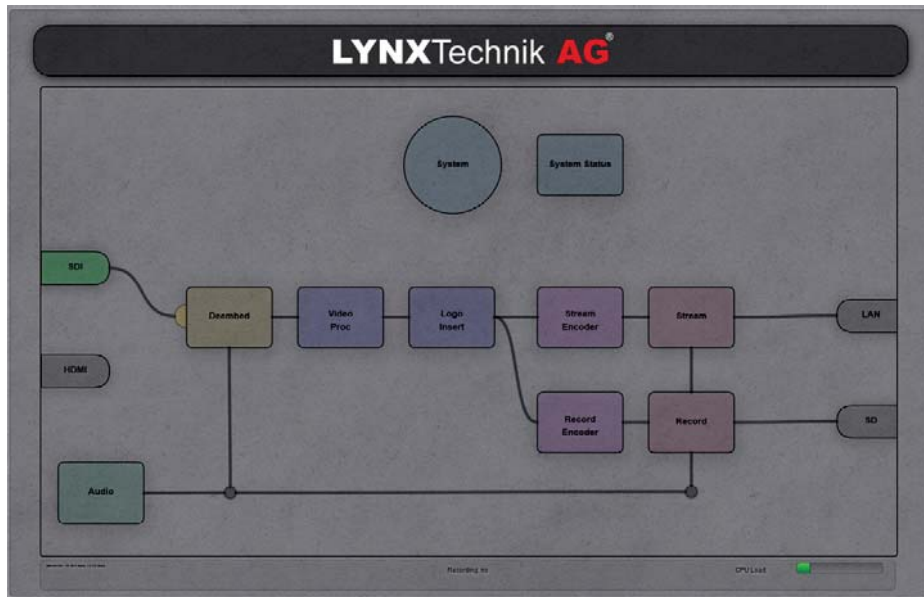
All connections are clearly indicated on the module. The Ethernet connection is the streaming output as well as the access to the Web UI.

Accessing the Web UI

To configure and control the PEC 1864, use the integrated Web UI by connecting it to a computer with an Ethernet cable.

The default IP address of the PEC 1864 is **192.168.1.161**. Assign a static IP to your computer that is in the same IP range of the PEC (e.g. 192.168.1.170). Once you have done this, open your Web browser (supported browsers are Firefox, Chrome and Safari) and enter the IP address of the PEC 1864.

The login page will open requesting you add your password. Enter the default password **yellobrik\$admin**. Click „Login“ and the main page of the Web UI will open.



The main page of the Web UI reflects the functional diagram of the module. To access the detailed settings, double click on the respective functional block in the diagram and the configuration page will open. Use the back button to return to the main page.

Changing the IP Settings

To change the IP settings of the PEC 1864, double click on the “System” block on the main page of the Web UI. Once you have changed the IP settings, press the “Apply Settings” button.

The module will power down and restart with the new IP settings.

Configuring the PEC 1864

All configuration parameters are automatically set as soon as they are adjusted in the WEB UI (only exception being the IP settings). There is no need to press an apply button.

The settings of the PEC 1864 depend strongly on each other, and therefore it is possible to construct an impossible configuration, resulting in no signal output or a disturbed signal output.

This can be avoided by the „Proc Load“ indication on the main page of the Web UI. If the indication turns red then your output signal will not be correct.

Recording

The PEC 1864 can record either to a Micro SD card or USB stick. The recording can be started and stopped via the Web UI or the record button on the top left side of the module.

Recording media specifications:

- **MicroSD:** SDHC (Speed Class 10 or higher is recommended)
- **USB:** Mini-USB 2.0 Type “B” socket
- Micro SD and USB need to be formatted as FAT32, NTFS3.1 or exFAT

The record status LED is located on the top left side of the module. The lights indicate:

- **OFF** = No recording media detected
- **Green** = Recording media detected and ready for recording
- **Yellow** = Recording media full or incorrect formatting
- **Red** = Recording in progress

Reset to Factory Defaults

Press and hold the record button while the module is powered and then power down it. The module will restart with the factory settings including the IP address and password.