



yellobrik®

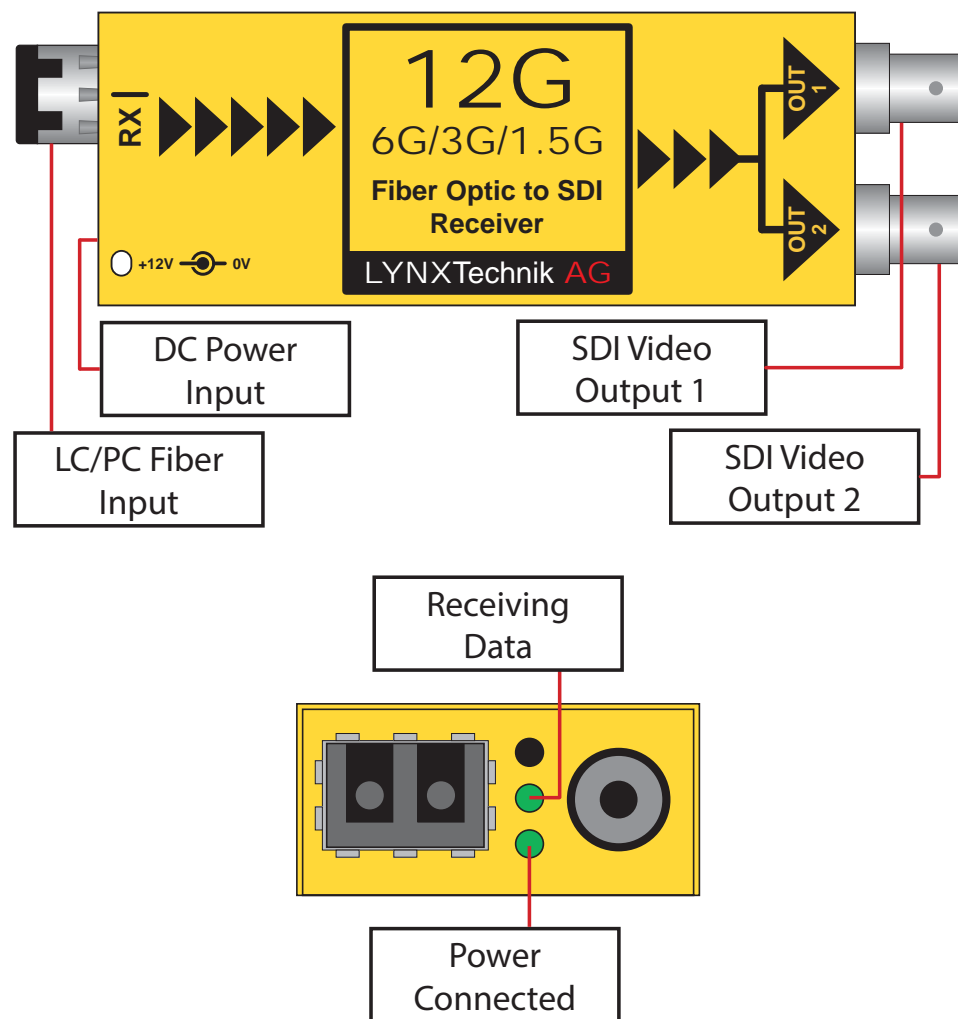
yellobrik®

Quick Reference

Technical Specifications

Optical Input	1 x fiber optic input Simplex LC/PC connection
	SMPTE 297M - 2006
	Input range (wavelength) 1260nm to 1620nm
	RX sensitivity -2dBm to -10dBm
	RX active LED on side of module
	SMF (Singlemode) fiber
	Hot pluggable
SDI Outputs	2 x SDI video on 75 Ohm BNC connector
	SMPTE 2082-1, SMPTE 2081-1, SMPTE 424M, SMPTE 292M
	Multi-standard operation from 1.5Gbit/s to 12Gbit/s
	Multirate reclocking: 1.5Gbit - 3Gbit - 6Gbit - 12Gbit
Power	+12VDC @ 2.2W nominal - (power supply included) (supports 7 - 24VDC input range) Power LED on side of module

ORX 1400 12G, 6G, 3G, 1.5G Fiber Optic to SDI Receiver



We are constantly adding more yellobrik modules.
Please visit our website for the latest product updates.

www.lynx-technik.com

LYNXTechnik AG | www.lynx-technik.com

Connections

The SDI video outputs are connected to the 75 Ohm BNC connections (up to 12Gbit). The fiber connection is LC/PC Simplex SMF (singlemode).

The fiber connection comes standard with an installed rubber plug to prevent dust contamination. Please keep the plug for later use if the cable is ever disconnected from the cable.

Operation

Operation of the ORX 1400 is fully automatic. The SDI video format is automatically detected, relocked and provided on two SDI output connections. It supports 12G, 6G, 3G and 1.5G SDI video standards.

Maximum distance supported is 10 km (6.2 miles). Data transmission activity is indicated by the TX LEDs on the side of the module.

Note: If RX LED is OFF, then this indicates that no optical input signal is connected or the optical input power is too low.

The ORX 1400 is hot swappable and hot pluggable.

No user settings are provided for this module.

Power

The module requires a 12V DC power input and the LED confirms when power is connected. A power supply is provided, however if you use your own power supply, please provide a clean 12V DC power source between 7 and 24VDC.

The ORX 1410 has a power consumption of approximately 2.2W nominal.

Power Lead Strain Relief

The module has a small hole in the case which is located above the power connection. This prevents the power lead being accidentally pulled out. Use the supplied tie-wrap and secure the lead as shown below.



Optional Mounting Solutions

The optional RFR 1001 mounting bracket can be used to permanently mount the module on any surface or on 19" rack rails.



The optional RFR 1000-1 rack mount can be used to permanently mount up to 14 yellobrik modules. In addition, the RFR 1000-1 can provide full power redundancy for all mounted yellobriks.

