

LYNX

Passive Fiber

O SP 5824

fiber

SERIES 5000

CardModules

Dual Channel 1 > 4 Optical Splitter

Description

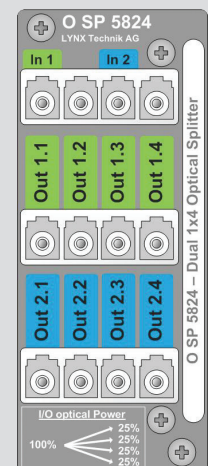
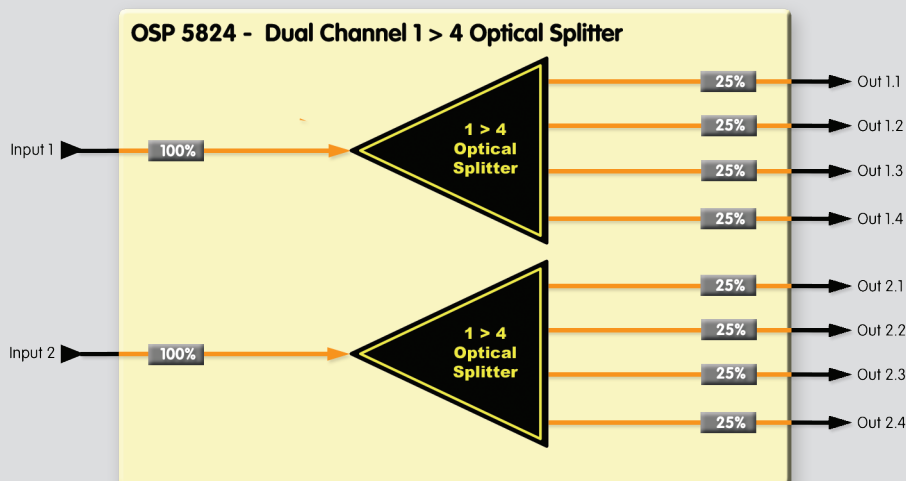
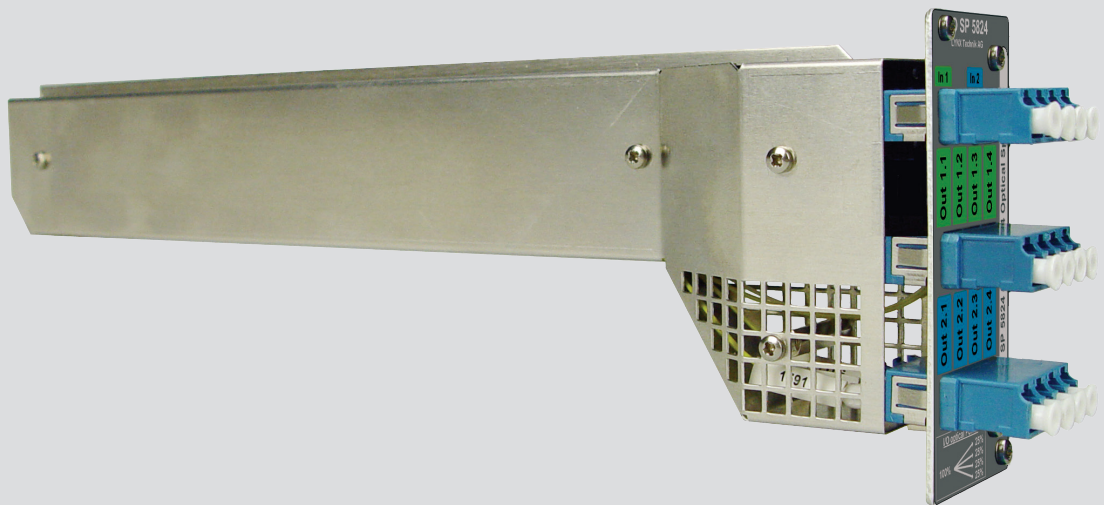
The OSP 5824 provides 2 independent 1>4 optical splitters / combiners in a single module. For each channel the optical input is split into 4 outputs, each one having 25% of the input power.

The module is passive in operation, meaning it requires no power, and is mechanically compatible with all Series 5000 rack frames and installs from the rear of the rack.

Features

- Two precision 1>4 optical splitters in a single module
- Each channel has 25% / 25% / 25% / 25% split ratio
- LC - PC connections (singlemode)
- Compatible with all Series 5000 rack frames (2RU and 1RU)
- Occupies one card slot

FIBER O SP 5824



Backplane

Dual Channel 1 > 4 Optical Splitter

Specifications

Optical I/O	
Inputs	2 (1 per channel)
Outputs	8 (4 per channel)
Connector type	LC - PC (singlemode)
Operating Wavelengths	1260nm - 1650nm
Performance (per channel)	
Insertion loss (incl. connector)	7.6 dB
Split ratio %	25/25/25/25
Polarization dependant loss	max 0.3dB
Return Loss	> 55dB
Directivity	> 55dB
Max input power	500mw
Mechanical	
Size	85mm x 286mm (not incl. connectors)
Weight	150 g
Ambient	
Temperature	-20°C to 85°C Maintaining specifications
Humidity	90% Max non condensing

Specifications subject to change

Ordering Information

Model #	Part Number	Description	Includes
O SP 5824	1000005824	Dual Channel 1>4 Optical Splitter	CardModule + Mounting Screws + Reference Manual (on CD)