



# yellobrik®

# yellobrik®

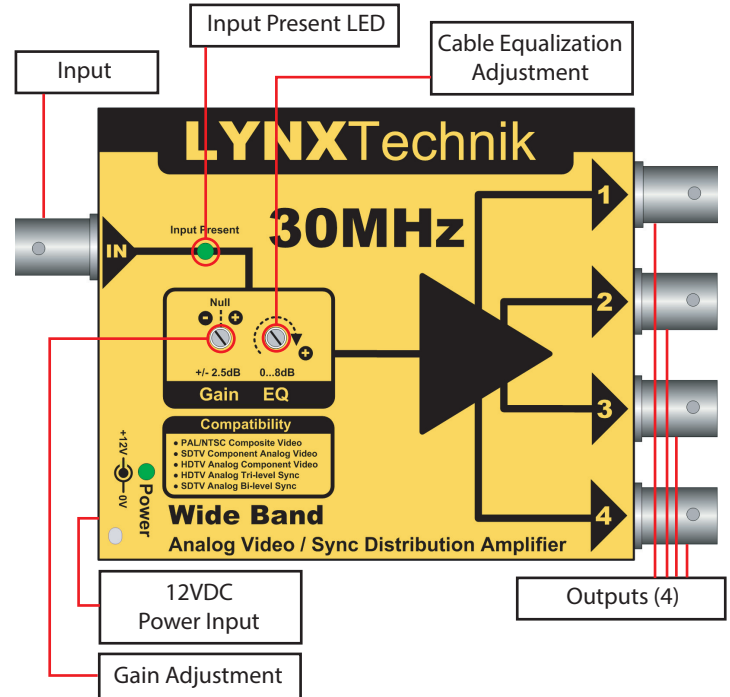
## Quick Reference

### Technical Specifications

<b>Input</b>	1 x 75 Ohm BNC connector
	<b>Compatible Input Sources</b> SDTV Composite video (NTSC/PAL) SDTV Component Analog Video HDTV Component Analog Video SDTV Bi-level sync (or black burst) HDTV Tri-Level Sync
	Return loss > 31dB to 30MHz
	Input Gain adjustment range +/- 2.5dB
	Input Cable Equalization Adjustment 0 - 8dB
	Input clamp, Input presence detection (LED)
<b>Outputs</b>	4 x Analog Video / Sync Outputs
	75 Ohm BNC connectors
	Return loss >22dB to 30MHz
<b>Performance</b>	Frequency Response: -3dB @ 30MHz (EQ min), -3dB @ 37MHz (EQ max) +/- 0.1dB to 10MHz
	Signal to noise >60dB (RMS)
<b>Power</b>	+12VDC optimal (power supply included) Supports external power input from 8 - 24 VDC Power consumption: 1.3VA
<b>Physical</b>	105mm x 95mm x 22mm (4.13" x 3.74" x 0.86") Weight 220g
<b>Ambient</b>	5 - 40°C (41 - 104°F) 90% Humidity (non condensing)

### DVA 1714

### SD/HD 1>4 Analog Video/Sync Distribution Amp.



We are constantly adding additional yellobrik modules. Please visit our website for the latest product updates.

[www.lynx-technik.com](http://www.lynx-technik.com)

**LYNXTechnik AG®**

Broadcast Television Equipment

## Connections

All connections are clearly indicated on the module and self explanatory.

## Operation

The DVA 1714 has one analog video/sync input, and four analog outputs. The module is a wide band distribution amplifier and suitable for analog video signals up to 30MHz, which means it will support any analog video or sync standard (SDTV and HDTV)

The “Signal Present” indicates when a valid input signal is connected.

The module has a gain adjustment and also cable equalization (EQ) adjustment and these are accessible on top of the module using a small adjustment tool (screwdriver)

**Note.** For use with sync signals it is recommended that the gain adjustment be set to “null” to avoid excessive DC offset on the output.

## Power

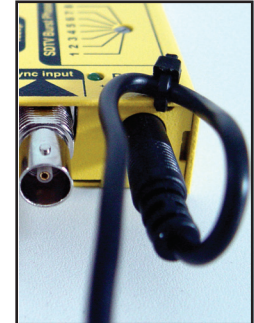
The module requires a 12V DC power input (power supply included) and a LED is provided to confirm power is connected.

The module will support an external DC power input between 8 and 24VDC @ 1.3VA

Do not exceed 24VDC or damage to the module will result.

## Power Lead Strain Relief

The module has a small hole in the case located above the power connection. To prevent the power lead being accidentally pulled out, use the supplied tie-wrap and secure the lead as shown below.



## Optional Mounting Bracket

The optional RFR 1001 mounting bracket can be used to permanently mount the module on any flat surface or on 19" rack rails.



### Note:

Another module type is shown for illustration purposes only. The principle is the same for the DVA 1714

